

PM 105.65

Electric oven for pizza



EXTERNAL CONSTRUCTION

- Front structure made in folded stainless steel
- Oven panels made pre-painted metal sheets
- Door in stainless steel with shutter with hinge at bottom with balancing spring
- Door handle in stainless steel
- Tempered crystal glass
- Control panel on the right front side
- Vapour outlet in stainless steel

INTERNAL CONSTRUCTION

- Baking surface in refractory brick
- Upper and lateral structure in aluminized sheet
- Thermal insulation in mineral wool

FUNCTIONING

- Heating by armoured heating elements
- Separate heating element control by mean contactors that are controlled by thermostats
- Maximum temperature reached 450°C
- Continuous measurement of temperature by probe indicator

STANDARD EQUIPMENT

- Illumination by halogen lamp

OPTIONS AND ACCESSORIES (WITH SURCHARGE)

- Prover on wheels height 1000 mm
- Support without trayholder slides, height 600 mm
- Support without trayholder slides, height 900 mm
- 4 wheels kit
- Additional trayholder slides
- Stacking kit (only matched with prover on reinforced wheels)
- Hood



MORETTI FORNI S.P.A.

www.morettiforni.com

info@morettiforni.com

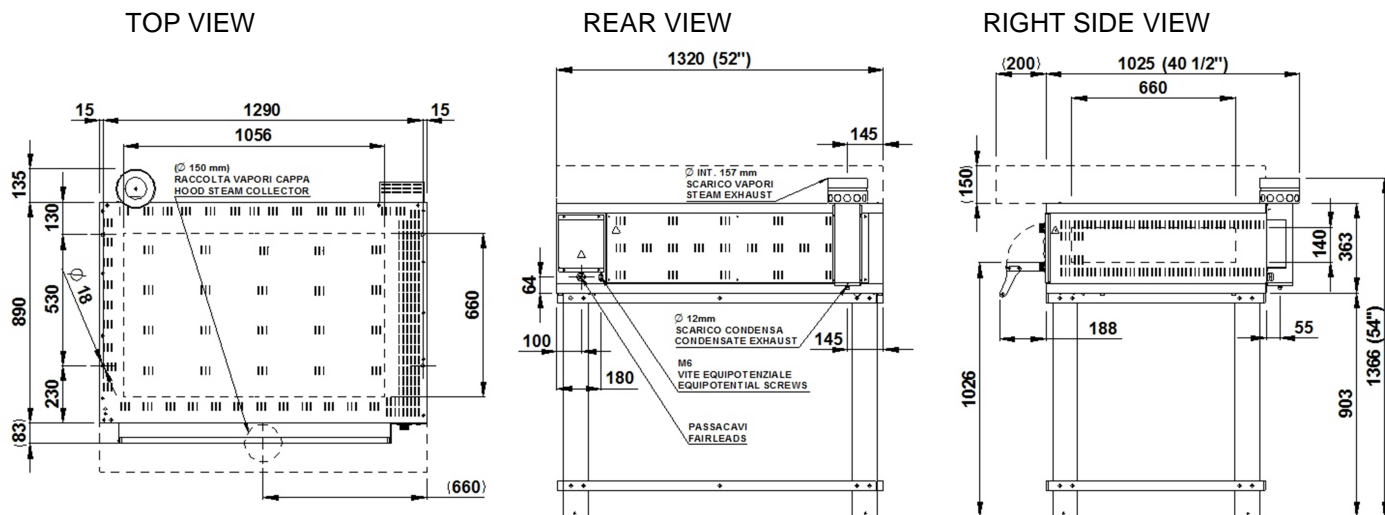
Via A.Meucci, 4 - 61037 Mondolfo (PU) ITALIA

Tel. +39.0721.96161 - Fax +39.0721.9616299



PM 105.65

(assembled with support height 900 mm)



Note: The dimensions indicated in the views are in millimeters.

SPECIFICATIONS

The appliance comprises one cooking elements and an optional leavening compartment or support. The oven cooking surface is made of refractory material that provides perfectly even heat distribution over the whole surface, making this oven particular suitable to cook pizza, either directly on the surface or in trays. Temperature adjustment is electromechanic, with independent control of the ceiling and floor heating elements. The oven door is hinged at the bottom, with a tempered glass window to check the state of the product while it is cooking. The support comprises a painted metal structure, whereas the leavening compartment has a stainless steel structure and is fitted with a heating thermostat. The leavening compartment can reach a maximum temperature of 65°C, whereas the maximum temperature of the baking chamber is 450°C

All the data provided below refer to the configuration with 1 chamber

DIMENSIONS

External height	463mm
External depth	1025mm
External width	1320mm
Weight	123kg
Total baking surface	0,7m ²

SHIPPING INFORMATION

Packed oven sizes	
Max height	550mm
Max depth	1110mm
Max width	1500mm
Weight	(123+21)kg

FEEDING AND POWER

<i>Standard power supply</i>	
A.C. V400 3N	
<i>Optional power supply</i>	
A.C. V230 3	
Frequency	50/60Hz
Max power	8,2kW
*Average power cons.	4,1kWh
Connecting cable	
type H05RN-F	
5x4 mm ² (V400 3N)	
4x6 mm ² (V230 3)	
Power supply (optional prover)	
A.C. V230 1N 50/60 Hz	
Max power	1,5kW
*Average power cons.	0,8kWh
Conn. cable type H07RN-F 3x1,5 mm ²	

TOTAL BAKING CAPACITY

Pizza diameter 300mm	6
Pizza diameter 450mm	2
Tray (600x450)mm	2

*This value is subject to variation according to the way in which the equipment is used

- NOTE: MORETTI FORNI S.P.A. reserves the right to modify the characteristics of the products illustrated in this publication without prior notice